 **PostBase**
Mailing system



Operator Manual
First steps

About this Operator Manual

Please read this Manual before installing and using the PostBase mailing system. Please keep this manual near the system for quick reference.

Further documents

For complete specifications of the mailing system and all optional modules, refer to the **Operator Manual PostBase** – available as a download from Francotyp-Postalia. Information on available product variants and country-specific particularities can be found in the **Addendum to the Operator Manual** (if available in your country).

This manual covers all configurations and equipment options of the PostBase mailing system. Functions that are only available for particular system configurations are marked by an additional note, e.g. (optional).

Functions or information that are not available in all countries are identified as *not available in all countries*.

As currency, Euros are used exemplarily.



In this manual, the product name appears in its plain form 'PostBase'.

The following keywords and signs identify the safety tips in this manual:



Warning! indicates a potential hazard that may result in injury.



Caution! indicates a potential hazard that may result in damage to the mailing system or impair the franking process.



Caution! indicates an automatic machine operation that may result in the user being startled.

The following symbols and text features are used in this manual:

- Bullets precede instructions.
- Dashes precede list items.

Menu names and options from the operating menu are written in small capitals, e.g. MENU.



A tip offers advice or additional suggestions for improving the operation.

About this Operator Manual	2
1 Safety tips	4
2 A short description of the PostBase	6
2.1 PostBase franking machine – overview	6
2.2 Feeder – overview (<i>optional</i>)	8
2.3 Things worth knowing about PostBase	9
3 Installation	12
Step 1: Unpacking and checking the contents of the package	12
Step 2: Assembling PostBase	13
Step 3: Preparing the feeder (<i>optional</i>)	16
Step 4: Connecting PostBase	20
Step 5: Installing PostBase	22
4 The basics of operation	23
4.1 Turning the PostBase on/off	23
4.2 Standby	24
4.3 Adjusting the display inclination	24
4.4 Setting up the label dispenser (<i>optional</i>)	25
4.5 Setting up the catch tray	26
4.6 Screen elements and operation philosophy	27
4.6.1 The touch screen	27
4.6.2 The Home screen	29
4.6.3 The Product calculation menu	30
4.6.4 The Menu	31
4.6.5 Lists	32
4.6.6 Adjustment menus	33
4.6.7 Pop-up windows	34
4.6.8 Procedures (wizards)	35
4.7 Test print	36
Technical Data	39
License	44
United States Patents	46
Service / warranty	47

1 Safety tips

PostBase is a digital mailing system with ink-jet print technology for franking mail. PostBase complies with the pertinent safety regulations for office information equipment.

Please observe the following tips for your own safety:

Prevention of electrical hazards

- Operate the PostBase only on a grounded single-phase power socket. Make sure your office power supply conforms to the power requirements indicated on the serial number plates.
- Make sure the sockets for connecting the mailing system are close by and easily accessible at all times.
- Unplug the plugs in case of an emergency. Call the Service.
- Take special care that no foreign objects penetrate the system's interior.
- Be extremely careful when handling liquids.
- Unplug the plugs prior to cleaning the PostBase mailing system.

Prevention of mechanical hazards

- Keep long hair, fingers, loose clothing pieces, neck ties, shawls, jewelry and the like away from moving machine parts.
- Do not remove any parts of the housing.
- Do not remove any equipment related to safety or protection. Do not make them inoperative or unable to function.

Accessories and consumables

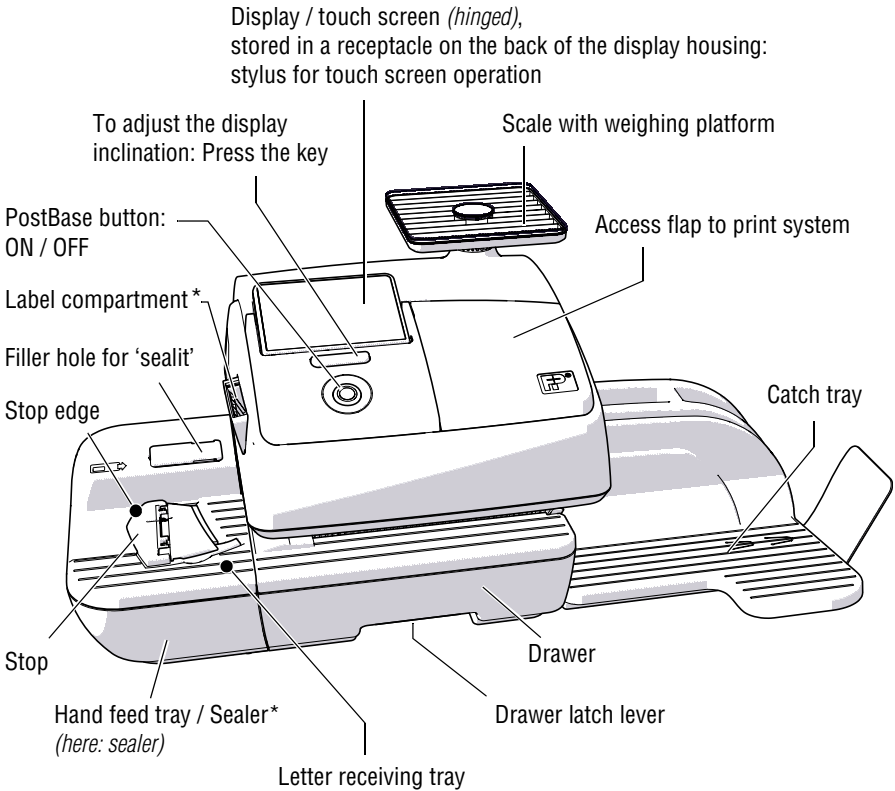
- We recommend to use only approved FP equipment and FP original parts. The manufacturer FP has established reliability, safety and applicability. The manufacturer cannot assess the reliability, safety and applicability for products not approved by FP, and therefore not vouch for such products.
- Use the supplied power and connection cables or cables that have been approved by Francotyp-Postalia. Make sure that cables are not damaged.
- Ingestion of the ink can be hazardous. Avoid contact with the eyes. Keep the ink cartridges away from children. Further instructions for use are enclosed with the ink cartridges.
- We recommend to use only the batteries provided by Francotyp-Postalia. The manufacturer FP has established reliability, safety and applicability. Observe the instructions enclosed with the battery for correct use and disposal.

General safety tips

- Install the PostBase mailing system according to the instructions.
- Do not use attached parts like the weighing platform, label compartment, display, drawer, ... as 'handles' during transport. The best way to handle the components is to hold them at the lower part of the housing at the clearances on both sides.
- When you move the PostBase from a cold environment (i.e. below 10 °C / 50°F): Unpack the PostBase and wait at least 2 hours before connecting the PostBase. The PostBase requires this period to adapt to the ambient conditions. Any condensation evaporates.
- Use the 'Feeder PostBase' only with the PostBase franking machine. It is not possible to operate the feeder without the PostBase franking machine.
- Have maintenance and repair work done only by qualified personnel authorized by Francotyp-Postalia. Otherwise, your warranty will become void. You will be liable for any damage.
- Do not be startled while positioning letters. Letter transport will start after a short delay.

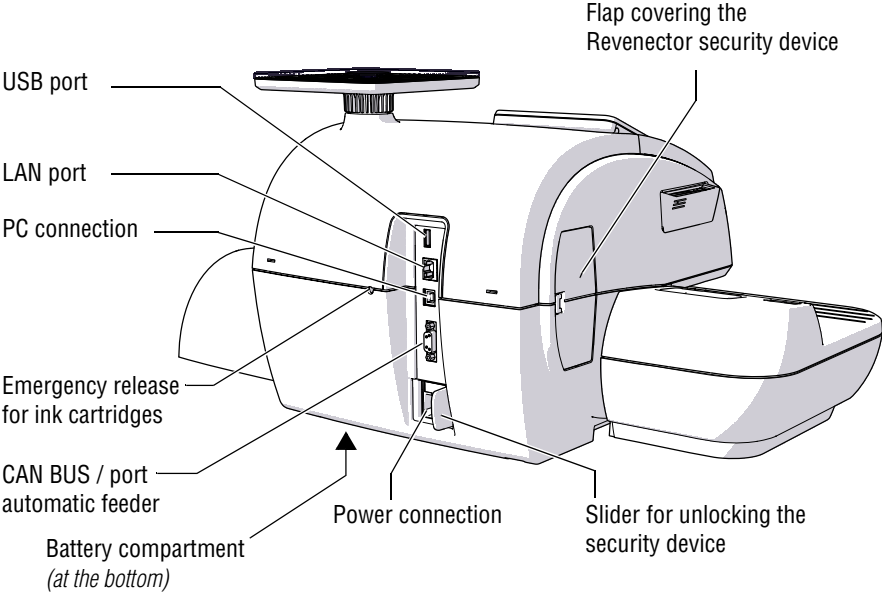
2 A short description of the PostBase

2.1 PostBase franking machine – overview

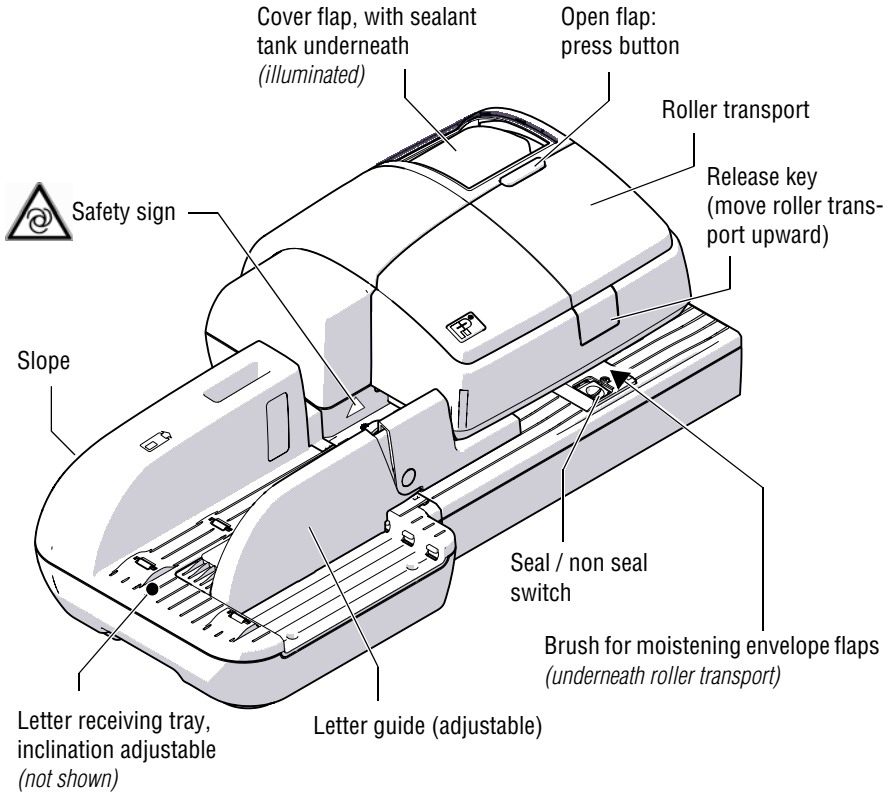


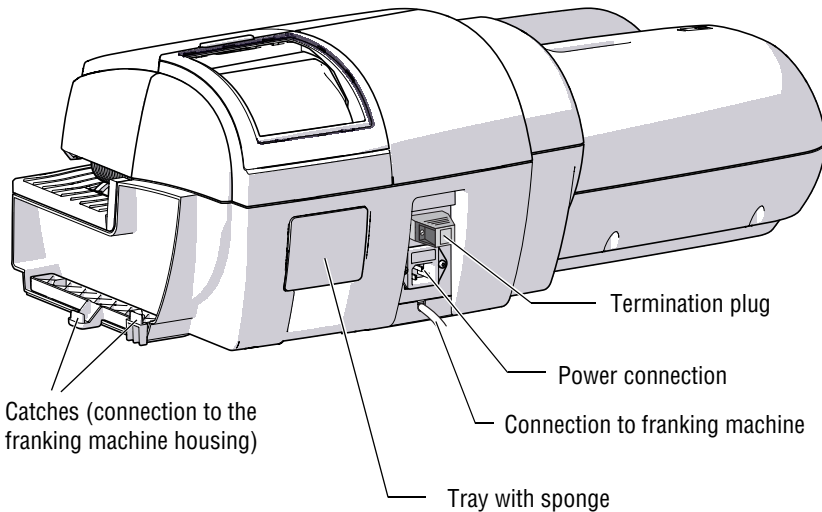
* *optional*

Franking machine – rear view



2.2 Feeder – overview *(optional)*



Feeder – rear view**2.3 Things worth knowing about PostBase**

PostBase is a digital mailing system featuring a touch screen and inkjet print technology.

Modular design

In its basic version, the mailing system consists of the PostBase franking machine with integrated scale, a hand feed tray and a letter catch tray.

This basic version can easily be extended with optional components.

The PostBase mailing system comes in variants with processing speeds of 30 letters per minute up to 65 letters per minute.

Franking To frank a letter, simply position it with the side to be printed on facing up – PostBase will seize the letter and frank it, after which it is exited to the right side ready for dispatch.

Franking is possible on mail pieces made of ink-absorbing material – postcards to 10 mm (0.4") thick letters in ISO B4 format – and special self-adhesive labels.

Letters as advertising medium In addition to printing postage, you can print custom advertisements of your choice and text messages on every mail piece you send (*not available in all countries*).

Download postage Load postage from the data centre directly into your franking machine – fast, easy and, if need be, 24 hours a day.

Access control The PostBase franking machine can be protected against unauthorized use via a PIN.

Flexible and up to date The PostBase franking machine ensures you are always using the current postal rates. Whether new postage rates or new adverts – the data center loads current data directly into your franking machine.

Additional functions The PostBase mailing system offers a range of convenient additional functions. Among these are:

- **Scale.** The space saving, integrated scale quickly and reliably determines the weight for letters and parcels. The determined weight directly affects the product settings.
- **Shortcut function** for frequently used postal products.
- **Account function** for separate registration and billing of postage costs.
- **Print lists** of register states and loading report.
- Variable **imprint offset** for changing the franking imprint position on the envelope (*not available in all countries*).

- Options* The following features are available for functionality extension:
- **Label dispenser** to print self-adhesive labels, for large or thick mail pieces or for envelopes that are not suited for ink-jet printing.
 - **Feeder**. Automatic feeder with sealer for the PostBase. The letters are separated from the stack, optionally moistened and sealed, and fed to the PostBase franking machine.
 - **Sealer**. Manually pass the open envelope through the sealer. The moistened flap will be closed in the PostBase during subsequent franking.
 - **Differential weighing**. A special weighing mode of the integrated scale that helps you save time when weighing and franking large amounts of similar mail pieces.
 - **Controlling PostBase via PC software**. FP offers software for controlling and administration of the franking machine via PC, e. g. Navigator, RemoteOne, ReportOne, Mailone (*not available in all countries*).

3 Installation

Step 1: Unpacking and checking the contents of the package



Warning! Do not start operating PostBase if parts are damaged or missing. Please contact the service.

- Unpack the packages.
- Check that the contents of the packages are complete and free from any damage.



Keep the packing. Use it again when you need to transport PostBase or send it in to Service.

Scope of delivery

- PostBase franking machine
- Hand feed tray
- Catch tray with stop
- Weighing platform (*version as ordered*)
- Power cable
- USB cable
- Ethernet cable
- Ink cartridge set
- Franking labels
- ‘First steps’ manual

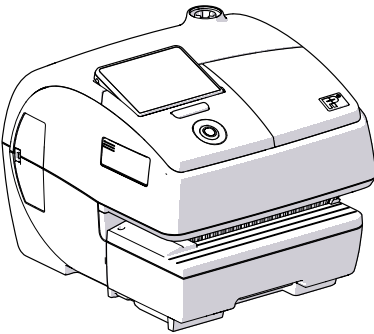
Optional, only when ordered separately

- Sealer incl. ‘sealit’ sealing liquid
- External modem incl. modem cable
- Feeder incl. slope, pendulum, power cable, termination plug, basket with sponge, ‘sealit’ sealing liquid

Step 2: Assembling PostBase



Caution! When you move PostBase from a cold environment (i.e. below 10 °C / 50°F):
Unpack the PostBase and wait at least 2 hours before connecting PostBase.
PostBase requires this period to adapt to the ambient conditions.

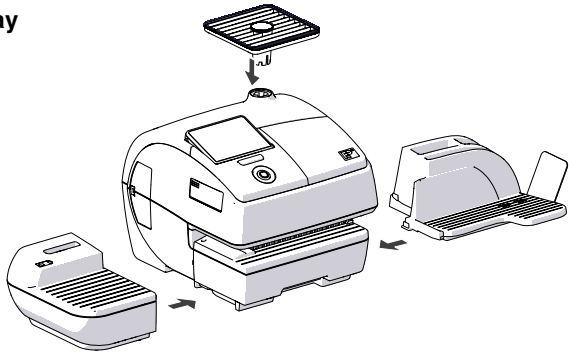


- Choose an installation site with the following ambient conditions:
 - room temperature: 10 °C to 40 °C (50 °F to 104 °F)
 - no direct sunlight
 - power socket in the immediate vicinity
 - network connection with internet access

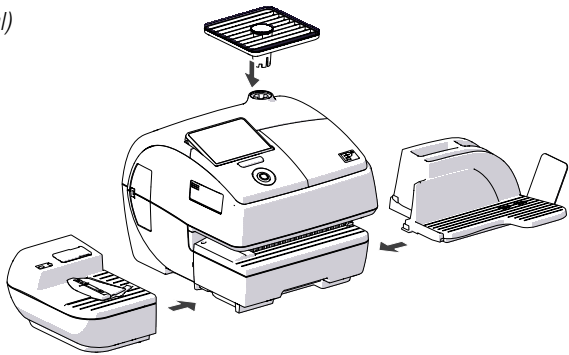
or

 - telephone socket for modem connection in the immediate vicinity.
- Place PostBase on a firm, level, low vibration and horizontal base.

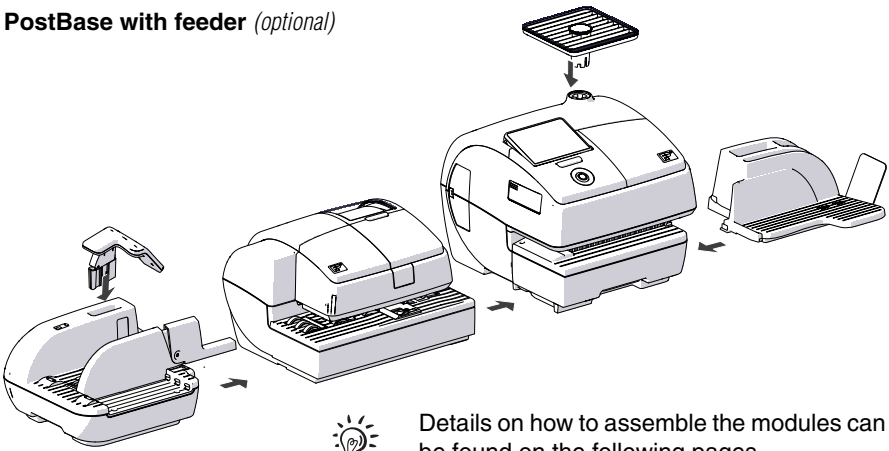
PostBase with hand feed tray



PostBase with sealer (optional)

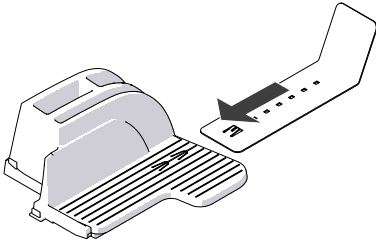


PostBase with feeder (optional)



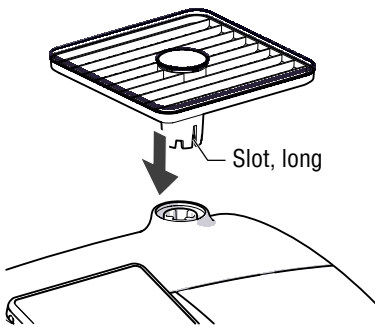
Details on how to assemble the modules can be found on the following pages.

Catch tray: attaching the stop



- Attach the stop to the catch tray: Slide the stop into the guides on the catch tray bottom.

Mounting the weighing platform



- Hold the weighing platform such that the long slot in the weighing platform foot points to the front.
- Place the weighing platform onto the scale receptacle from above. The long slot of the weighing platform must slide in the counterpart on the scale receptacle.
- Press down slightly on the weighing platform with your flat hand.

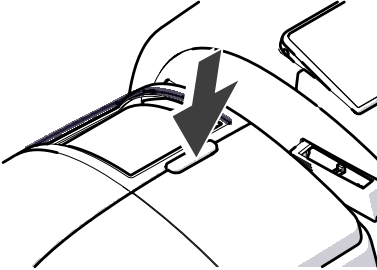
Mounting catch tray and feeding device

- Place the attachments next to the franking machine (see overviews on previous page).
- Slightly lift the franking machine on the side on which you wish to mount the attachment. The bottom side of the housing features slots where the attachments are fastened.
- Push the respective attachment underneath the franking machine such that the catches on the attachment engage in the slots.
- Put the franking machine carefully down.

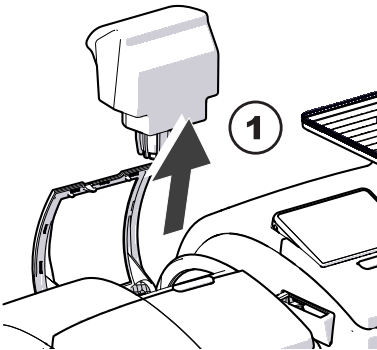
Step 3: Preparing the feeder *(optional)*

Inserting moistening sponge

- Open the flap by pressing the release button.

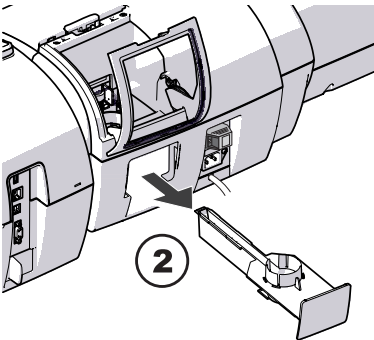


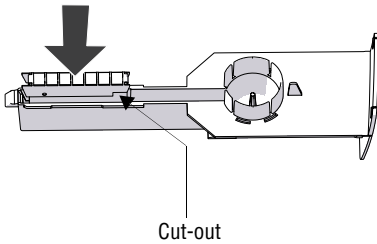
- Remove sealant tank out of the housing and put it at a safe place.



At the rear of feeder:

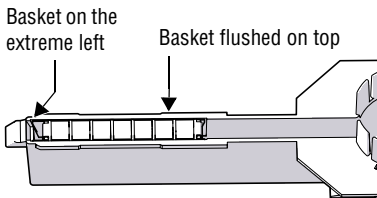
- Carefully pull out to the back the sealant tray.



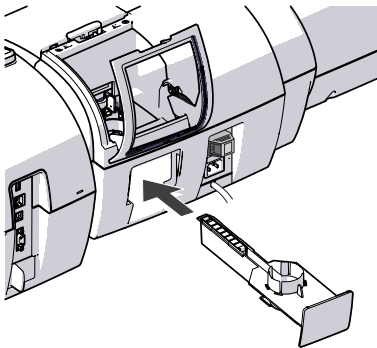


- Carefully insert the basket with sponge into the tray until basket and tray are flush. Mind the position of the cut-out.

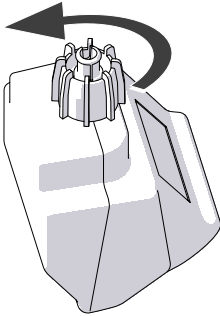
Checks:



- Check if the basket is correctly seated: It must rest on the extreme left in the tray and close on top in a flushed manner.

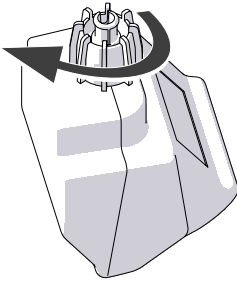


- Insert the complete tray into the housing until it clicks into place.
- Check if the sponge is correctly seated. It should be directly below the moistening felt and brush.

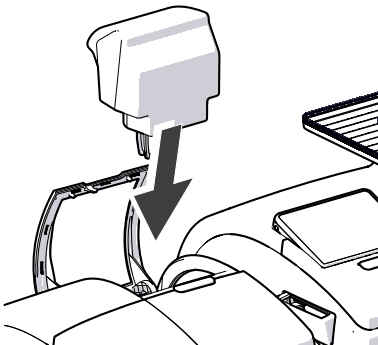


Filling with sealing liquid

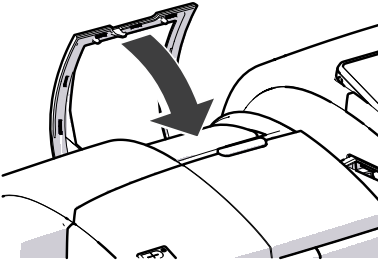
- Unscrew sealant tank cover.
- Fill the sealant tank with 'sealit' sealing liquid.



- Place sealant tank screw cover and tighten.
- Turn sealant tank upside down in a non-dangerous area (e. g. over a sink) to check if the cover is well sealed.

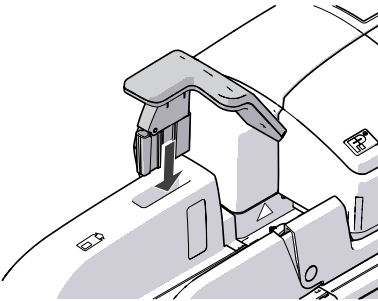


- Insert sealant tank into the housing with the cover downward.



- Close the flap.

Attach the pendulum



- Insert the base of the pendulum into the fixture of the slope.
- Press down on the pendulum until it clicks into place.

Step 4: Connecting PostBase

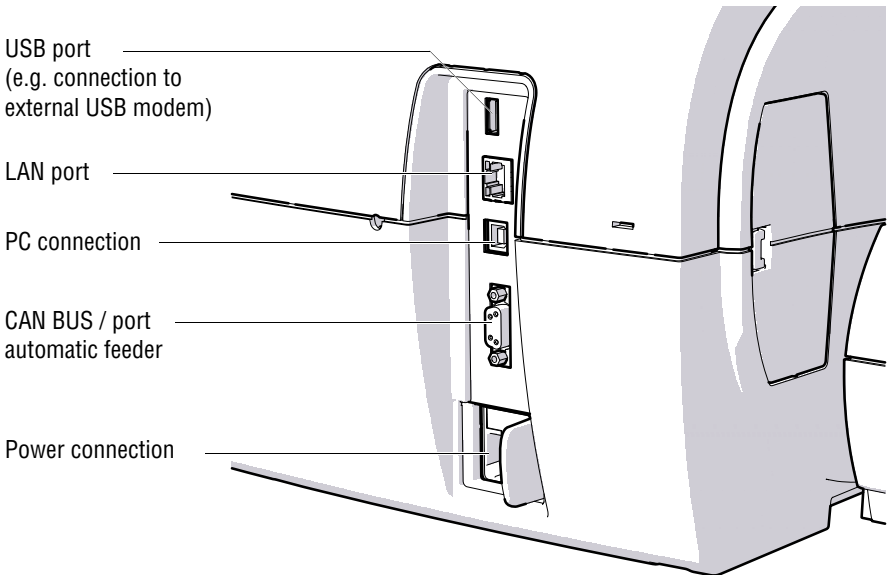


Warning! Use the power and connection cables provided with the PostBase or approved by Francotyp-Postalia. Make sure that cables are not damaged.

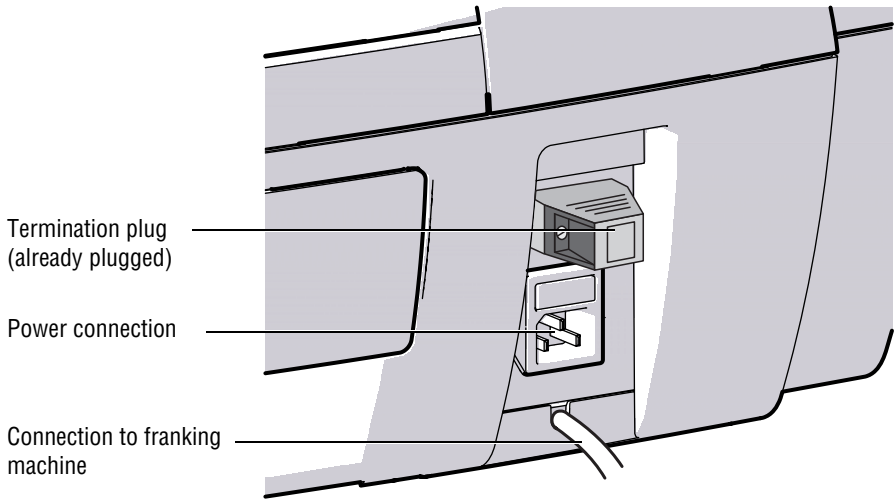
Connect PostBase only to a grounded single-phase power socket. Make sure your office power supply conforms to the power requirements indicated on the serial number plates.

Make sure the socket for connecting PostBase is close by and easily accessible at all times.

PostBase franking machine

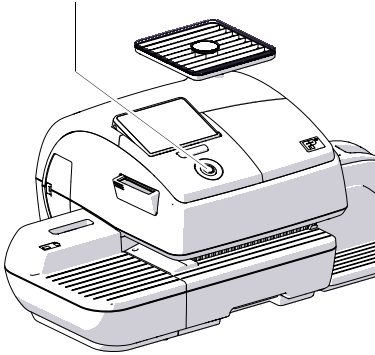


Feeder *(optional)*



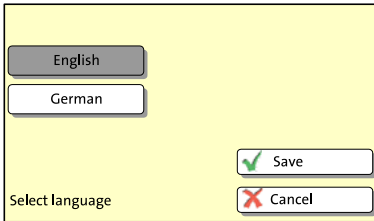
Step 5: Installing PostBase

PostBase button



- Turn PostBase on: Press the PostBase button.

The display lighting and button illumination switch on. PostBase performs a self test and then starts the installation procedure.



- Follow the instructions on the display.

PostBase will guide you step by step through the installation procedure:

- Select language
- Set connection parameters
- Enter repository PIN
- Software update
- Insert cartridges
- Load postage.



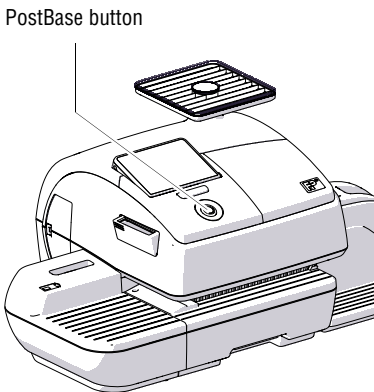
For information on handling the touch screen and an overview of screen elements, please read chapter 4.6.

4 The basics of operation

In this chapter you will learn about the basic functions of the PostBase mailing system and how to handle the touch screen.

4.1 Turning the PostBase on/off

The franking machine can remain connected to mains all the time to ensure it is always ready for use. Use the PostBase button to turn the franking machine ON and OFF.



Turning on

- Press the PostBase button.

The display lighting and button illumination switch on. The PostBase performs a self test and then displays the Home screen.

Depending on the setting, you are prompted to enter the PIN and select an account.

Turning off

- At any time, press the PostBase button for **three seconds** to turn the franking machine off.

The PostBase will complete any current actions and then goes to standby. The display light and PostBase button illumination go out and the touch screen is deactivated.

Disconnecting the PostBase from mains



Caution! Make sure to always turn the PostBase off with the PostBase button before disconnecting the PostBase from mains. Never pull the power plug or separate the power supply in any other way before the printing system has reached its sealed position. This is the only way to prevent drying up and to ensure a permanently high print quality.

- Press the PostBase button for three seconds to turn the franking machine off. The display goes out.
- Unplug the power cable from the socket.

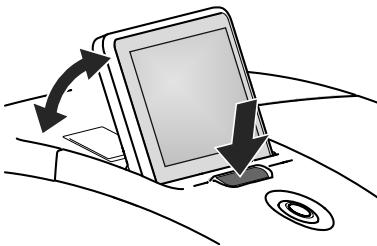
4.2 Standby

The PostBase franking machine will go to standby automatically if it is not used for some time.

The display is dark and the PostBase button is illuminated in standby. The touch function is inactive.

You can 'wake up' PostBase by briefly pressing the PostBase button.

4.3 Adjusting the display inclination



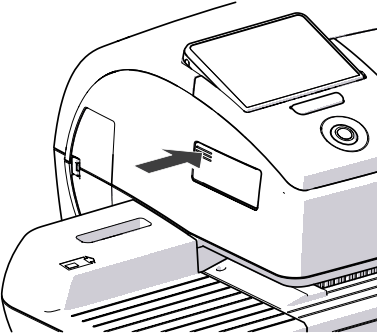
- Press the key below the display and set the display in the desired position. The adaptation mechanism features several catches.
- Release the key.

4.4 Setting up the label dispenser (optional)

Folding the label compartment in and out

To fold the label compartment in or out:

- Press on the knurled surface until you hear a click, then release.



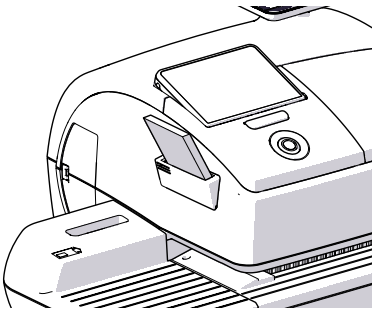
Inserting labels



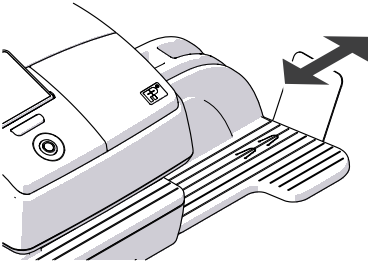
Caution! We recommend to use only labels that have been approved by Francotyp-Postalia. The manufacturer FP has established reliability, safety and applicability. The manufacturer cannot assess the reliability, safety and applicability for products not approved by FP, and therefore not vouch for such products

We can ensure correct label processing only when you comply with this.

- Remove package band from the package of labels.
- Insert the complete package (50 labels) in the label dispenser:
 - The side to be printed on faces up.
 - Insert the package of labels in direction of the imprinted arrow as far as it will go.



4.5 Setting up the catch tray



- The catch tray can be adapted to different envelope sizes (up to ISO B4) by displacing the catch bracket. The stop features several catches for the most common sizes.

4.6 Screen elements and operation philosophy

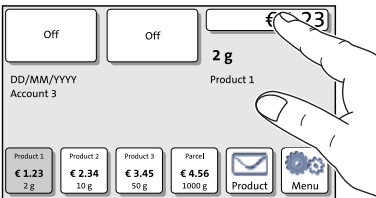
This chapter covers the user interface of the PostBase franking machine. You will learn how to operate the touch screen, the screen elements and the menus, window types and symbols.

4.6.1 The touch screen

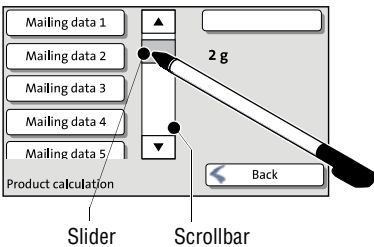
The touch screen is active when the display is lit. To operate the touch screen, simply touch the screen elements with your finger.

General operation philosophy

You briefly touch the desired screen element (in the example: the postage button) with your finger. PostBase performs the corresponding action.



You can operate scrollbars with the arrow buttons or by touching the slider and moving it. The setting is updated when you lift your finger off.



You can also use the supplied stylus instead of your finger. The stylus is stored in a receptacle on the back of the display.

Buttons

You distinguish buttons from the screen background by a shadow. They can have various states, depending on the function:



Button can be pressed / is active.



Button is selected / passive.



Confirmation: Button is being pressed.



Button is deactivated / cannot be pressed.

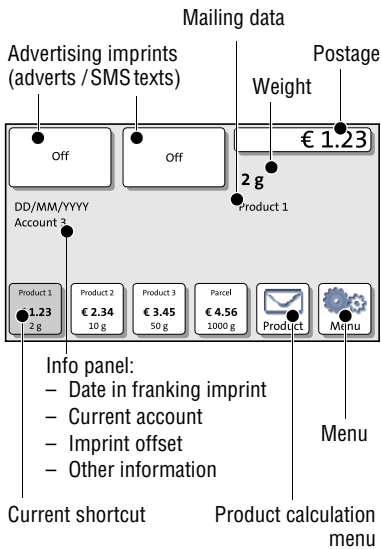
Standard buttons



The term 'standard button' refers to buttons like for example SAVE, CANCEL, BACK or CONTINUE.

Depending on the function, the button label can differ. The CANCEL / BACK button (if available) is always located in the bottom right corner of the screen and goes back one step / level.

4.6.2 The Home screen



The Home screen appears after the machine was turned on and the start routine has been successfully completed. It displays the current franking settings.

The postage appears only when all required product details are selected and the set weight exceeds 0 g (0 oz).

In the Home screen

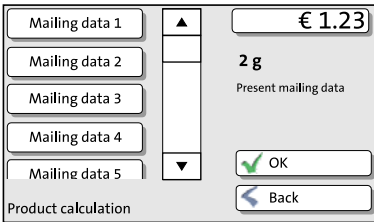
- you frank your mail pieces
- you can weigh your mail pieces
- you have access to all franking imprint settings
- current settings are displayed
- you can open the Menu.

Operation philosophy

A function can be edited or selected by simply touching its button.

Depending on the respective function, the PostBase opens a list, an adjustment menu or a menu offering further options. In the chapters to follow, you will be introduced to each of the menu and window types and their operation.

4.6.3 The Product calculation menu



Calling up the Product calculation menu

By pressing the PRODUCT button the product calculation menu is opened. Here, you set the product for the franking imprint.

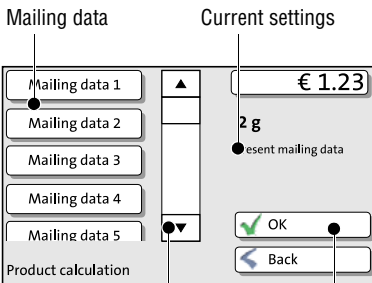
The left area of the display shows the available mailing data.

You can scroll the list with the scroll bar if more than four options are available.

The right area of the product calculation menu shows the current settings:

- the postage
- the weight
- the selected mailing data.

The postage only appears if all necessary mailing data were selected and the displayed weight exceeds 0 g (0 oz).



Selecting mailing data

By pressing the respective buttons, you select mailing data. The PostBase guides you through the postage calculation process step by step.

Press OK to accept the current settings and to return to the Home screen.

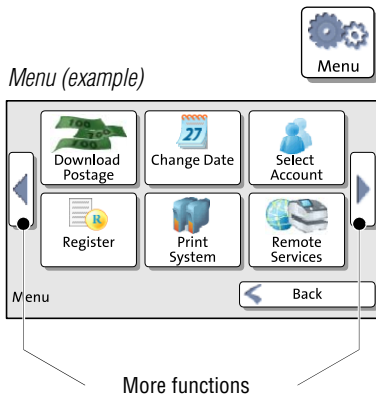
Deselecting mailing data

With the BACK button, the mailing data can be deleted step by step from the current product settings.

Returning to the Home screen

- OK** With the OK button, you set the current selected mailing data for franking and return to the Home screen.
- BACK** Pressing the BACK button repeatedly deletes the mailing data step by step. By pressing the button again after having deselected all mailing data you will cancel the product selection. The product set last remains set in the Home screen.

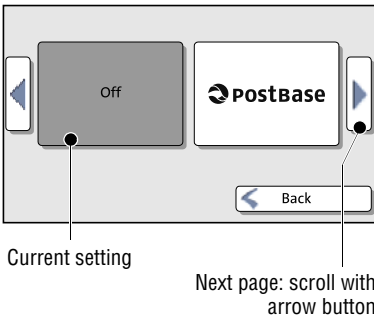
4.6.4 The Menu



Use the MENU button to open the Menu. From this Menu you can access the administration functions, the system settings, and service functions.

Use the arrow buttons to scroll to the next page and back in the Menu.

4.6.5 Lists



Lists (e.g. for adverts, SMS texts) offer all available settings in list form.

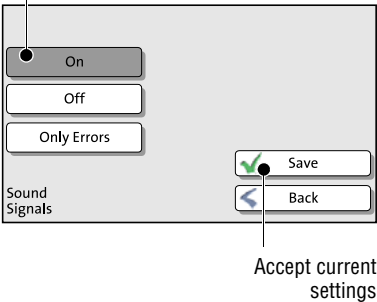
Use the arrow buttons to scroll forward or backward.

Press the respective button to select one of the provided settings and return to the Home screen.

4.6.6 Adjustment menus

A separate menu each opens for editing system parameters and for typing, editing, and clearing user-specific data. There are three types: Lists, input via keypad, and input according to the counter principle.

Current setting



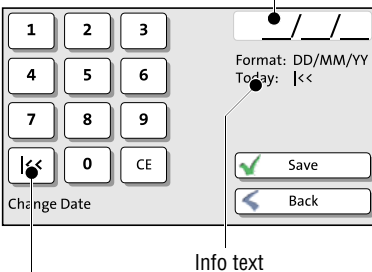
Lists

The left area of the display shows the available settings. The current setting is shown with a dark background. You can scroll the list with a scroll bar if more than five options are available.

Press SAVE to accept the current settings and to quit the adjustment menu.

Press BACK to discard your changes and to quit the adjustment menu.

Current input



Button assigned acc. to function
(here: reset to current date)

Input via keypad

Use the keypad in the left area of the display to input values. The top right text box indicates your input.

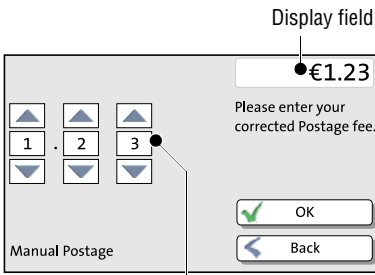
The keypad is always matched to the respective situation: The button labels change accordingly, depending on whether you must type figures or figures and letters.

The bottom left button is assigned a special function matched to the current operation, e.g. change between small and capital letters. The info text informs of special features and gives additional hints.

Press CE to clear input.

Press SAVE to accept the current settings and to quit the adjustment menu.

Press BACK to discard your changes and to quit the adjustment menu.



Setting an amount with the arrow buttons

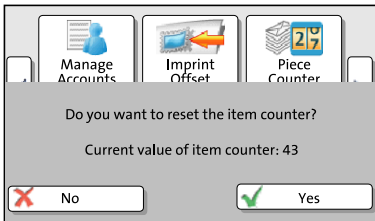
Input using the counter principle

PostBase may require you to enter values via a counter principle.

Use the arrow buttons to increase or decrease the figure in each digit until the desired amount is displayed in the top right text box.

Press OK to accept the current settings.

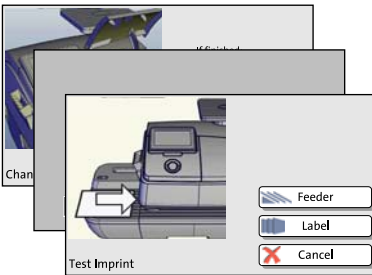
4.6.7 Pop-up windows



For some settings, a window covering parts of the current window opens (pop-up window). It prompts you for an action. Messages also appear as a pop-up.

Some pop-up messages feature auto-confirmation, i.e. they automatically close after some time.

4.6.8 Procedures (wizards)



For more complex settings, e.g. when setting up connection data, the PostBase opens a 'procedure', guiding you through all necessary actions step by step. Different window types are used, depending on requirements.

Press CONTINUE to accept the current settings and to go to the next step.

You can press BACK to return to previous steps.

Pressing BACK at the beginning of the procedure will discard all settings and close the procedure.

4.7 Test print

Using a test print, you can assess the settings for the franking imprint as well as the print quality.



According to postal regulations, test prints are marked as such. Never post test imprints.

Test prints are not logged in the postage registers.

Setting a test imprint

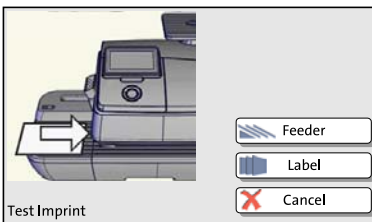
- Set the desired parameters for the franking imprint (advert, SMS-text etc.).
- Press the PRODUCT button in the Home screen.
- Set the desired product.

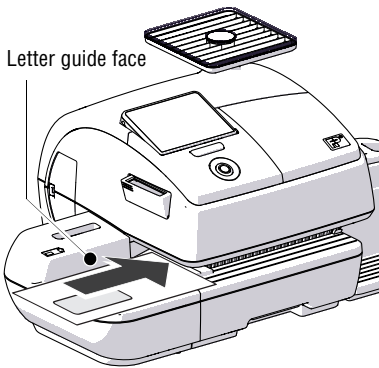


Once all necessary mailing data are set, you can perform a test print. The TEST PRINT PRODUCT option is shown at the end of the additional services list.

- Choose TEST PRINT PRODUCT.

PostBase prompts you to position a letter.





Printing the test print on an envelope

- Insert an empty envelope (or a postcard) in the hand feed tray:
 - side to be printed face up
 - the top edge must touch the letter guide face.
- Push the envelope in direction of the arrow.

PostBase takes up the envelope, prints the test print and discharges the envelope to the right.

Printing the test print on a label *(optional)*

- Choose LABEL to print the test print on a label.

PostBase prints the test print on a label and discharges the label to the right.

Positioning an envelope at the feeder *(optional)*

- Position a letter on the feeder:
 - side to be printed face up
 - the top edge must touch the letter guide face.

Or, if a letter has already been positioned:

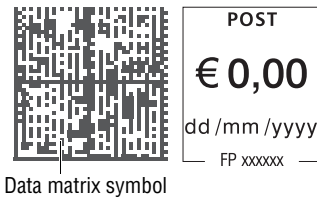
- Choose FEEDER.

PostBase seizes the envelope, prints the test print and discharges the envelope to the right.

Checking the print quality

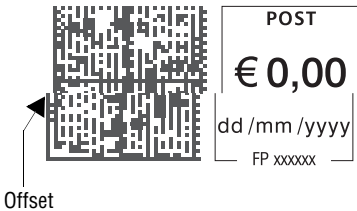
Make sure the PostBase always provides clean and legible franking imprints.

- Check the print quality. There must not be any offsets, blurred or blank spots. Pay special attention to the data matrix symbol (if any).



Data matrix symbol

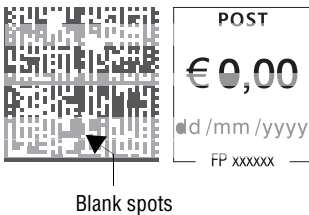
This illustration shows a perfect imprint.



Offset

When there are offsets / shifts in the imprint:

- Align the ink cartridges.



Blank spots

When there are blurred or blank spots in the imprint:

- Clean print system.

Technical Data

Dimensions

- **Length**
 - 310 mm (12.2") – *housing*
 - 146 mm (5.7") – *hand feed tray / sealer*
 - 385 mm (15.2") – *feeder*
 - 280 mm (11") – *slope*
 - 320 mm / 445 mm (12.6" / 17.5") – *catch tray min / max*
- **Width**
 - 345 mm (13.6")
 - 390 mm (15.4") – *with slope*
- **Height**
 - 300 mm (11.8") – *with weighing platform*

Weight

- 8.9 kg (19.6 lb) – *franking machine*
- 0.6 kg (1.3 lb) – *hand feed tray*
- 0.6 kg (1.3 lb) – *sealer*
- 7.3 kg (16.1 lb) – *feeder*
- 2.6 kg (5.7 lb) – *slope*
- 0.9 kg (2 lb) – *catch tray*

Power connection

- **franking machine** 100 - 240 V / 2.0 A / 50 - 60 Hz
- **feeder** 100 - 240 V / 2.0 A / 50 - 60 Hz

Power consumption

- **franking machine**
 - 80 W, Energy Star
 - < 1 W (switched off)
 - < 7 W (standby)
- **feeder** 80 W

Battery

3,6 V / 2 Ah / 20 mA order no. 90.4701.8004.00

Display

TFT, 480 x 272 pixels, with touch panel, backlit

Print system

- **Print technology** inkjet, 2 ink cartridges
- **Printing area** max. 185 mm x 25 mm (7.3" x 1")
- **Print resolution** ≥ 300 dpi

Performance	Up to 65 letters/min (depending on machine configuration, envelope size / content, imprint length, machine state and operating mode)
Noise emission	< 60 dB(A) franking machine (stand alone) < 70 dB(A) franking machine with feeder
Operating conditions	+15°C to +35°C (59°F to 95°F) Only use in closed rooms Do not expose to direct sunlight Rel. humidity 15% to 80% non-condensing
Weighing area	3 g to 7000 g (0.1 oz to 15 lb)

Ink cartridges

Ink cartridges	FP cartridge kit for PostBase
Operating and storage conditions	+15°C to +35°C (59°F to 95°F) Use in closed rooms only Do not expose to direct sunlight Relative humidity 20% to 70%, non-condensing



Safety data sheet for users available at www.fp-francotyp.de/en/material-safety-data-sheets-msds.

Subject to short-term modification.

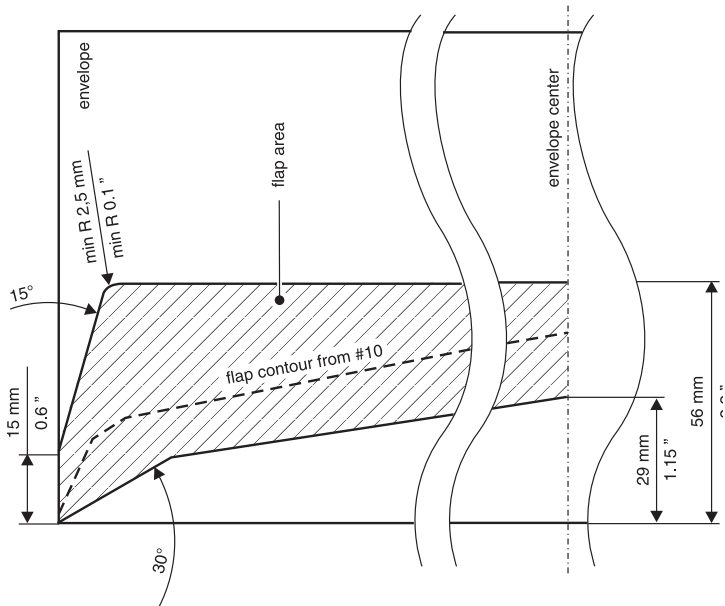
Mail piece specifications

Format	105 mm x 148 mm up to 250 mm x 353 mm (3" x 5" up to 10" x 14") (Postcard format up to ISO B4)
Thickness	up to 10 mm (0.4") (franking without usage of sealing function)
Material	Ink-absorbent material (suitable for inkjet printing) No dark paper No glossy coating on the surface to frank No bubble-foil material No corrugated board No extremely fibrous paper on which the data matrix symbol could smear
Labels	self-adhesive labels

Subject to short-term modification.

Envelope specifications for automatic sealing (*feeder*)

- Format** 105 mm x 148 mm up to 250 mm x 353 mm
(3" x 5" up to 10" x 14")
(up to ISO B4)
- Thickness** up to 7 mm (0.3")
- Material** Envelopes must be suitable for sealing by machine.
The flap must be at the envelope's long side.
- Sealing area** Sufficient closure can only achieved with continuous sealing
area.



Subject to short-term modification.

Declaration of Conformity

We, Francotyp-Postalia GmbH,
located in D-16547 Birkenwerder, Triftweg 21-26

herewith declare in our own responsibility that our

Franking Machine, Model: PostBase, PostBase Feeder

.....
(Type Designation)

is designed and assembled in conformity with the following harmonized standards:

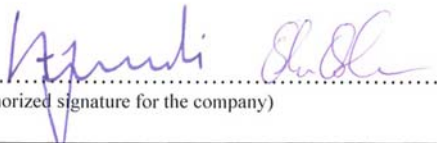
EN 60950-1
EN 55022 Class B
EN 55024
EN 61000-2-3
EN 61000-3-3

.....
in accordance with the rules of European Directives

2004/108EC (Electromagnetic Compatibility Directive)
2006/95EC (Low Voltage Directive)

20. January 2012

.....
(Date)


.....
(Authorized signature for the company)

License

This is a copy of the current LICENSE file inside the CVS repository.

```

LICENSE ISSUES
=====

The OpenSSL toolkit stays under a dual license, i.e. both the conditions of
the OpenSSL license and the original SSLeay license apply to the toolkit.
See below for the actual license texts. Actually both licenses are BSD-style
Open Source licenses. In case of any license issues related to OpenSSL
please contact openssl-core@openssl.org.

OpenSSL License
-----

/* =====
 * Copyright (c) 1998-2011 The OpenSSL Project. All rights reserved.
 *
 * Redistribution and use in source and binary forms, with or without
 * modification, are permitted provided that the following conditions
 * are met:
 *
 * 1. Redistributions of source code must retain the above copyright
 * notice, this list of conditions and the following disclaimer.
 *
 * 2. Redistributions in binary form must reproduce the above copyright
 * notice, this list of conditions and the following disclaimer in
 * the documentation and/or other materials provided with the
 * distribution.
 *
 * 3. All advertising materials mentioning features or use of this
 * software must display the following acknowledgment:
 * "This product includes software developed by the OpenSSL Project
 * for use in the OpenSSL Toolkit. (http://www.openssl.org/)"
 *
 * 4. The names "OpenSSL Toolkit" and "OpenSSL Project" must not be used to
 * endorse or promote products derived from this software without
 * prior written permission. For written permission, please contact
 * openssl-core@openssl.org.
 *
 * 5. Products derived from this software may not be called "OpenSSL"
 * nor may "OpenSSL" appear in their names without prior written
 * permission of the OpenSSL Project.
 *
 * 6. Redistributions of any form whatsoever must retain the following
 * acknowledgment:
 * "This product includes software developed by the OpenSSL Project
 * for use in the OpenSSL Toolkit (http://www.openssl.org/)"
 *
 * THIS SOFTWARE IS PROVIDED BY THE OpenSSL PROJECT ``AS IS'' AND ANY
 * EXPRESSED OR IMPLIED WARRANTIES, INCLUDING, BUT NOT LIMITED TO, THE
 * IMPLIED WARRANTIES OF MERCHANTABILITY AND FITNESS FOR A PARTICULAR
 * PURPOSE ARE DISCLAIMED. IN NO EVENT SHALL THE OpenSSL PROJECT OR
 * ITS CONTRIBUTORS BE LIABLE FOR ANY DIRECT, INDIRECT, INCIDENTAL,
 * SPECIAL, EXEMPLARY, OR CONSEQUENTIAL DAMAGES (INCLUDING, BUT
 * NOT LIMITED TO, PROCUREMENT OF SUBSTITUTE GOODS OR SERVICES;
 * LOSS OF USE, DATA, OR PROFITS; OR BUSINESS INTERRUPTION)
 * HOWEVER CAUSED AND ON ANY THEORY OF LIABILITY, WHETHER IN CONTRACT,
 * STRICT LIABILITY, OR TORT (INCLUDING NEGLIGENCE OR OTHERWISE)
 * ARISING IN ANY WAY OUT OF THE USE OF THIS SOFTWARE, EVEN IF ADVISED
 * OF THE POSSIBILITY OF SUCH DAMAGE.
 * =====
 *

```

```

* This product includes cryptographic software written by Eric Young
* (eay@cryptsoft.com). This product includes software written by Tim
* Hudson (tjh@cryptsoft.com).
*
*/

```

```

Original SSLeay License
-----

```

```

/* Copyright (C) 1995-1998 Eric Young (eay@cryptsoft.com)
* All rights reserved.
*
* This package is an SSL implementation written
* by Eric Young (eay@cryptsoft.com).
* The implementation was written so as to conform with Netscapes SSL.
*
* This library is free for commercial and non-commercial use as long as
* the following conditions are aheared to. The following conditions
* apply to all code found in this distribution, be it the RC4, RSA,
* lhash, DES, etc., code; not just the SSL code. The SSL documentation
* included with this distribution is covered by the same copyright terms
* except that the holder is Tim Hudson (tjh@cryptsoft.com).
*
* Copyright remains Eric Young's, and as such any Copyright notices in
* the code are not to be removed.
* If this package is used in a product, Eric Young should be given attribution
* as the author of the parts of the library used.
* This can be in the form of a textual message at program startup or
* in documentation (online or textual) provided with the package.
*
* Redistribution and use in source and binary forms, with or without
* modification, are permitted provided that the following conditions
* are met:
* 1. Redistributions of source code must retain the copyright
* notice, this list of conditions and the following disclaimer.
* 2. Redistributions in binary form must reproduce the above copyright
* notice, this list of conditions and the following disclaimer in the
* documentation and/or other materials provided with the distribution.
* 3. All advertising materials mentioning features or use of this software
* must display the following acknowledgement:
* "This product includes cryptographic software written by
* Eric Young (eay@cryptsoft.com)"
* The word 'cryptographic' can be left out if the rouines from the library
* being used are not cryptographic related :-).
* 4. If you include any Windows specific code (or a derivative thereof) from
* the apps directory (application code) you must include an acknowledgement:
* "This product includes software written by Tim Hudson (tjh@cryptsoft.com)"
*
* THIS SOFTWARE IS PROVIDED BY ERIC YOUNG ``AS IS'' AND
* ANY EXPRESS OR IMPLIED WARRANTIES, INCLUDING, BUT NOT LIMITED TO, THE
* IMPLIED WARRANTIES OF MERCHANTABILITY AND FITNESS FOR A PARTICULAR PURPOSE
* ARE DISCLAIMED. IN NO EVENT SHALL THE AUTHOR OR CONTRIBUTORS BE LIABLE
* FOR ANY DIRECT, INDIRECT, INCIDENTAL, SPECIAL, EXEMPLARY, OR CONSEQUENTIAL
* DAMAGES (INCLUDING, BUT NOT LIMITED TO, PROCUREMENT OF SUBSTITUTE GOODS
* OR SERVICES; LOSS OF USE, DATA, OR PROFITS; OR BUSINESS INTERRUPTION)
* HOWEVER CAUSED AND ON ANY THEORY OF LIABILITY, WHETHER IN CONTRACT, STRICT
* LIABILITY, OR TORT (INCLUDING NEGLIGENCE OR OTHERWISE) ARISING IN ANY WAY
* OUT OF THE USE OF THIS SOFTWARE, EVEN IF ADVISED OF THE POSSIBILITY OF
* SUCH DAMAGE.
*
* The licence and distribution terms for any publically available version or
* derivative of this code cannot be changed. i.e. this code cannot simply be
* copied and put under another distribution licence
* [including the GNU Public Licence.]
*/

```

United States Patents

Following patents and applications for patents, designs and trademarks are reserved for the franking machine PostBase™.

US 5671146, US 5699415, US 5790768, US 6247774, US 6594648, US 6625741, US 6629084, US 6698953, US 6733194, US 6739245, US 6771179, US 6853986, US 6953234, US 6954149, US 7043631, US 7343359, US 7437756, US 7606264, US 7610501, US 7694010, US 7724905, US 7996884, US 8091979, US11/099364, US11/229466, US11/642122, US12/034768, US12/036558, US12/201100, US12/252679, US12/336852, US12/427038, US13/251454, US13/286389, US13/194373, US29/405873, US29/405874, US29/405875, US29/405876, US85/405623, US85/390545

An update is published on our website.

Service

Every PostBase mailing system is thoroughly checked before leaving the factory. Should any faults occur with your PostBase mailing system in spite of our extensive quality control, please contact Francotyp-Postalia help line.

Our main office will be pleased to tell you the address of your local servicing dealer.

Warranty

For warranty information, refer to the country-specific Addendum to the Operator Manual (*if available in your country*).



Francotyp-Postalia applies DQS-certificated integrated management systems with quality and environmental management (DIN EN ISO 9001, 14001). These are valid for design and manufacturing of franking machines and postal equipment.
(registration no: 275570 QM 08, UM)

51.0052.3800.00 Rev. 00

2012-03 / xxx / helbig berlin